

URIMAT.

.....

EVERY DROP COUNTS

Welcome to URIMAT



Welcome to URIMAT

URIMAT is a leading manufacturer of environmentally friendly products in the sanitary ware industry.

In a place where others are passive, URIMAT is actively setting new trends and standards on a daily basis. The waterless urinals made by the Swiss manufacturer URIMAT are enjoying worldwide acceptance and simultaneously bringing hygiene and ecological protection to thousands of washrooms around the globe. As they discover the innovative technology and the high value retention of our products, new customers are placing their confidence in our solution every day, thereby actively helping to save millions of litres of clean drinking water. In regions where this valuable resource is in short supply, such arguments are becoming even more crucial in an era of climate change.

As a market leader, URIMAT is fully committed to ecological sustainability. Our products are manufactured using eco-friendly materials and production processes. When choosing our partners we emphasise carbon-neutral production and high ethical standards.

Our uncompromising quality control and leading technology guarantee durable products with odourless, hygienic and ecological operation.

Make a statement today.
Choose URIMAT.





Used worldwide

You're in good company
with URIMAT

When you choose to rely on the technology of the market leader – the waterless urinals by URIMAT – you are in excellent company.

Take McDonald's, for example – A global corporation that subscribes to high ecological principles and is committed to sustainability. By installing URIMAT in their premises worldwide, McDonald's is sending a clear message and saving billions of litres of valuable drinking water.

In virtually every industry, we can name prestigious references that place their confidence in us every day. Make a statement now! Choose URIMAT!

URIMAT

The ecological environmental system



1 High-tech plastic bowl, carbon-neutral manufacturing, 100% recyclable

2 Unique odour trap technology with integrated cleaning system Saving minimum 100,000 litres of drinking water a year per urinal = 350g/m³ less CO₂

3 Microbiological cleaning system

4 Financing possibility through advertising



URIMAT sets standards

As a leading company for waterless sanitary technology, URIMAT is continually redefining the quality standard. Our constant striving for new solutions to protect that precious resource, water, have been endorsed over recent years by numerous renowned international environmental awards and certifications.



URIMAT Water is life*

URIMAT is a leading producer of environmentally friendly products in the sanitary ware industry



* Around 71% of the earth's surface is covered by water. But only 0.3% of all the water on the planet is available in streams, rivers and groundwater for potential use as drinking water.

The Original

The market leader's waterless urinals at a glance



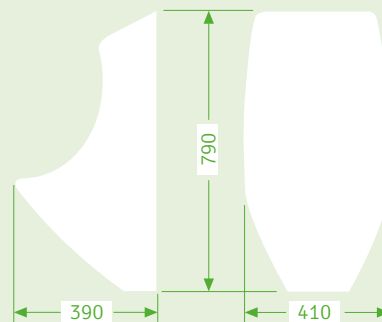
Model	URIMAT eco	URIMAT ecoplus	URIMAT ecovideo
Item number	15001	16001	16981
Color	● White	● White	● White
Weight	4,2 kg	4,4 kg	5,5 kg
Special features		Passive advertising display	With LCD video display
Technology			WiFi and USB

ECO Model Series

Beautifully designed urinals made of robust, high-tech plastic.
No water, no chemicals, no odor.
The patented mechanical closure and microbiological cleaning agents guarantee trouble-free and odorless operation.

Dimensions (in mm)

eco





URIMAT
ceramic20

12220

● White

21 kg



URIMAT
ceramicC2

12401

● White

19.7 kg



URIMAT
ceramic

12.205

● Matt black

16 kg



URIMAT
ceramiccompact

12.305

● Matt black

12 kg

Ceramic model series

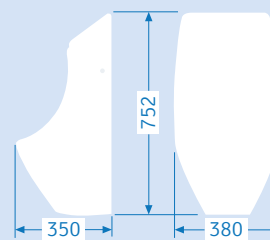
Elegance meets technology. URIMAT ceramic urinals completely eliminate underflows and sharp edges to actively prevent deposits. The non-porous glaze of the URIMAT ceramic bowls ensures residue-free drainage. No water, no chemicals, no odor. The patented mechanical closure and microbiological cleaning agents guarantee trouble-free and odor-free operation.

Available in different colors upon request.

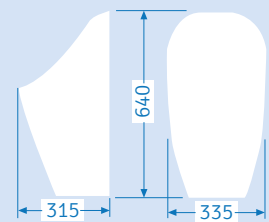


Dimensions (in mm)

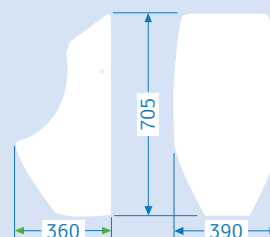
ceramic20



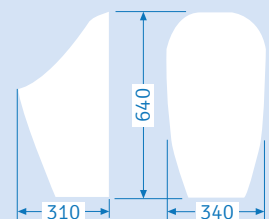
ceramicC2



ceramic



ceramiccompact



NRV 2.0

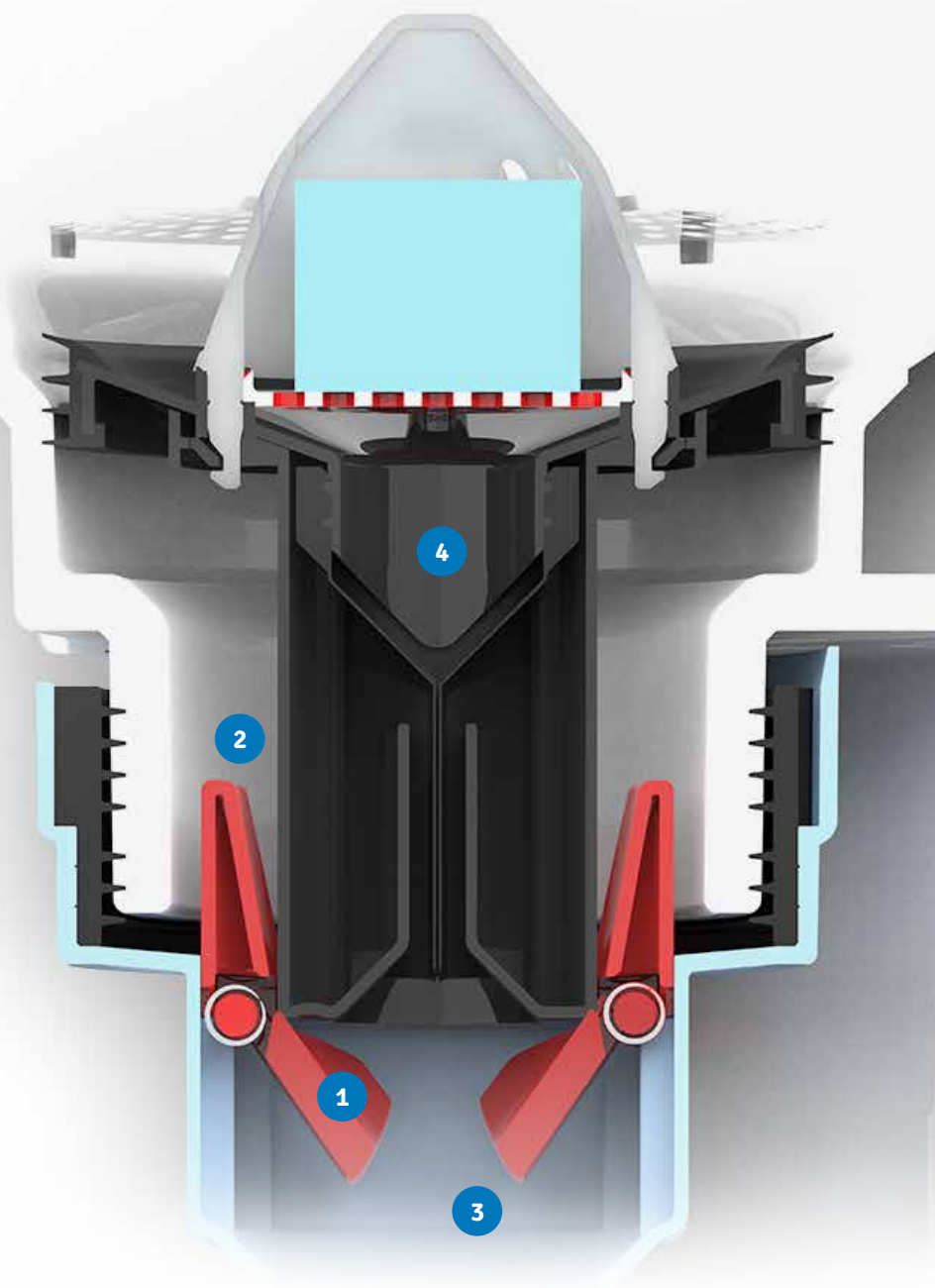
Hygienic service, without any compromise!

Non-Return Valve from URIMAT.

The patented Non-Return Valve prevents drain odours from escaping when the MB-ActiveTrap is removed.

The integrated valve closes automatically when the MB-ActiveTrap is removed, keeping washrooms and facilities free of drain odours even during maintenance work.

This ensures a noticeable improvement in terms of maintenance intervals.



Non-Return Valve from URIMAT

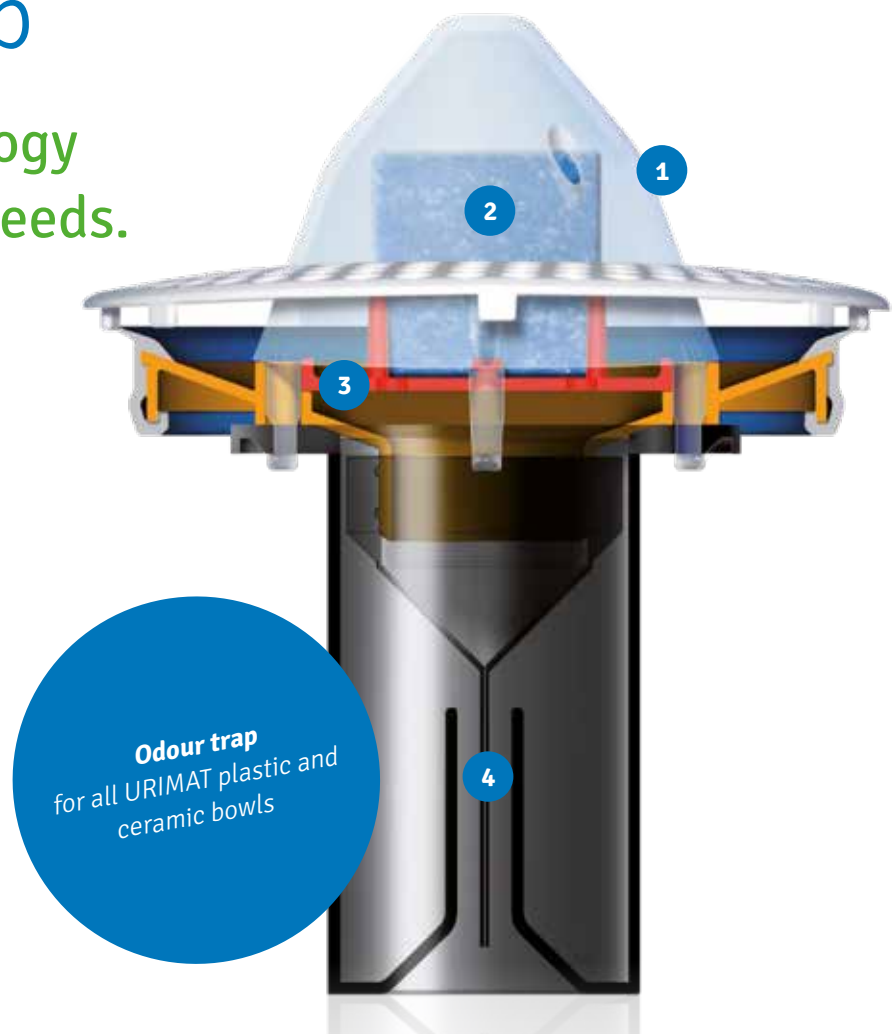
- 1 The integrated valve closes automatically when the MB-ActiveTrap is removed.
- 2 A guidance bar ensures a proper and easy fit.
- 3 Waste pipe is closed and keeps washrooms and facilities free of drain odours even during maintenance work.
- 4 The valve opens when the MB-ActiveTrap is inserted.

MB-ActiveTrap

Sophisticated technology for the most basic of needs.

The URIMAT MB-ActiveTrap collects the urine and channels it into the waste pipe without flushing, while at the same time sealing in any odours. Fluids are channelled via a vertical membrane straight into the sewage system. Above the membrane there is a microbiological cleaning block which prevents build-up of deposits both inside the odour seal unit and in the waste pipe. As soon as fluids stop flowing through the membrane, it automatically forms an air-tight seal.

After the MB-ActiveCube has dissolved, the red surface beneath the transparent cover signals that the odour trap has to be replaced.



The patent for 100% odour-free function

1

Patented three-way control

The cover of the integrated MB-ActiveCube has three settings which regulate the efficiency of the block, thereby controlling its effective service life.

2

Integrated MB-ActiveCube

The integrated MB-ActiveCube improves hygiene, reduces deposits and prevents the inside of the odour trap and the waste pipe becoming encrusted with organic matter, urine deposits and fats.

3

Lifecycle indicator

When the MB-ActiveTrap needs to be changed, the life-cycle indicator will let you know. After the MB-ActiveCube has been removed, the red surface below the transparent cover indicates that the MB-ActiveTrap needs to be replaced.

4

Vertically sealing membrane system

The vertical membrane technology guarantees that odours are completely sealed away and is able to withstand both negative and positive pressures. It is impossible for gases from the sewage system to escape.

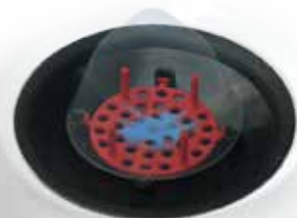
New MB-ActiveTrap with new MB-ActiveCube



MB-ActiveCube after about 50% usage



MB-ActiveCube is nearly at end of life-cycle. MB-ActiveTrap needs to be replaced soon



MB-ActiveCleaner

PH-neutral, biological and sustainable.

Dermatologically tested for skin-friendliness and found to be «very good». MB-ActiveCleaner eliminates the bad odours caused when organic matter decomposes. It is particularly well suited for maintenance cleaning and odour elimination in heavily used washrooms & sanitary facilities.

MB-ActiveCleaner contains micro-organisms that penetrate the pores (joints) and destroy any odours caused by organic residues deposited there, leaving a pleasant and lasting freshness. Used daily, it prevents odours from developing.

By delaying resoiling, MB-ActiveCleaner makes an active contribution to maintaining cleanliness in all environments.

ph-neutral
biological
grease stain remover
no harmful vapors
eco-friendly



Areas of application

- › Toilets and sanitary facilities
- › Washrooms and showers
- › Facades, passages and stairways
- › Waste containers and refuse collection stations
- › Floors, carpets etc.

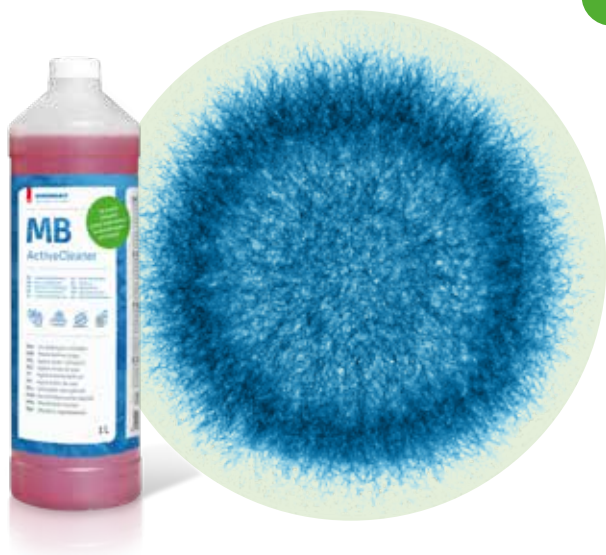
URIMAT sets standards



dermatest-garantie.de

How it works

Securing an odour free bathroom experience.



1 What are spores?

The word spore refers to the developmental stage of a living being, which serves to reproduce, spread, survive or serve several of these purposes at the same time.

Spore (endospores) are also formed by bacteria. They are very resilient and can adjust their entire metabolism, i.e. they do not need oxygen, water or nutrients.

Under certain environmental conditions, these endospores can develop back into active developmental stages of the bacteria.

2 How do the spores develop usable bacteria?

By creating an optimal environment for the different spores, i.e. providing nutrients in combination with oxygen and water, the bacteria are reactivated.

Now the MB-ActiveCleaner becomes active.



3 Why is the formation of odours prevented by the use of bacterial spores?

Unpleasant odours are caused by the decomposition of organic materials (urine, fats, etc., ...). These materials serve as food for the bacteria used and are thus eliminated before unpleasant odours develop. The bacterial spores have a preventive effect.

MB-ActiveCleaner is not only a very effective but also an environmental solution to maintain your facility.



MB-ActiveCleanerTab

A highly concentrated biological cleaning tablet that offers unique benefits. The tablet is highly effective and an environmentally friendly product.

- 99% less plastic and packaging waste
- 99% less transport weight
- Environmentally friendly packaging
- Reduction in CO2 emissions
- pH-neutral



Reduce plastic waste, transport costs, and CO2 emissions:

The MB-ActiveCleanerTab is a biological cleaner with micro-organisms, specially developed for cleaning urinals, toilets, and bathroom surfaces. Thanks to its natural ingredients, it does not emit harmful fumes. Compared to liquid cleaners, the use of cleaning tabs significantly reduces plastic waste and protects the environment.

Technical specifications:

20 tablets per pack

Weight: 3.4g per tablet

Dissolution time: max. 300 seconds / 5 minutes

Dilute with 0.5-1.0 liters of water

Versatile use:

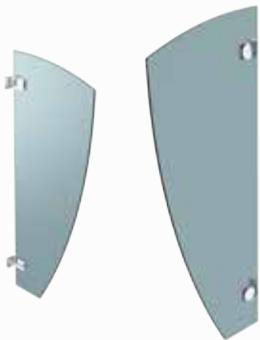
- Urinals, toilets, and sanitary facilities
- As a cleaning fluid for URIMAT urinals
- Washrooms and shower rooms
- Facades, passageways, and stairwells
- Waste containers and waste collection points
- Floors, carpets, etc.

URIMAT partition walls

Partition and design element in one

URIMAT uses elegant urinal partitions made of HPL (high-pressure laminate), tempered safety glass, and stainless steel. The decorative surfaces of our durable partitions are largely resistant to all common household solvents and chemicals; these materials have therefore been used for many years in applications where cleanliness and hygiene are essential. They require no special maintenance, just routine cleaning.

URIMAT urinal partitions are ideal as a design element, even in your restroom facilities.



ESG-Glas

URIMAT glass partition walls are made of high-quality translucent/frosted tempered safety glass with a coating that repels even the smallest dirt particles. The glass is 8 mm thick and 1 meter long.



HPL High Pressure Laminate

URIMAT partition walls made of HPL (High Pressure Laminate) are made of high-quality, recyclable, compressed wood and paper fibers and ensure absolute stability and sufficient privacy in your sanitary room.



Inox

URIMAT stainless steel partition walls consist of a robust polycarbonate core and a high-quality stainless steel cladding. The combination of the two materials makes the partition vandal-proof and lightweight.

Mounting frames

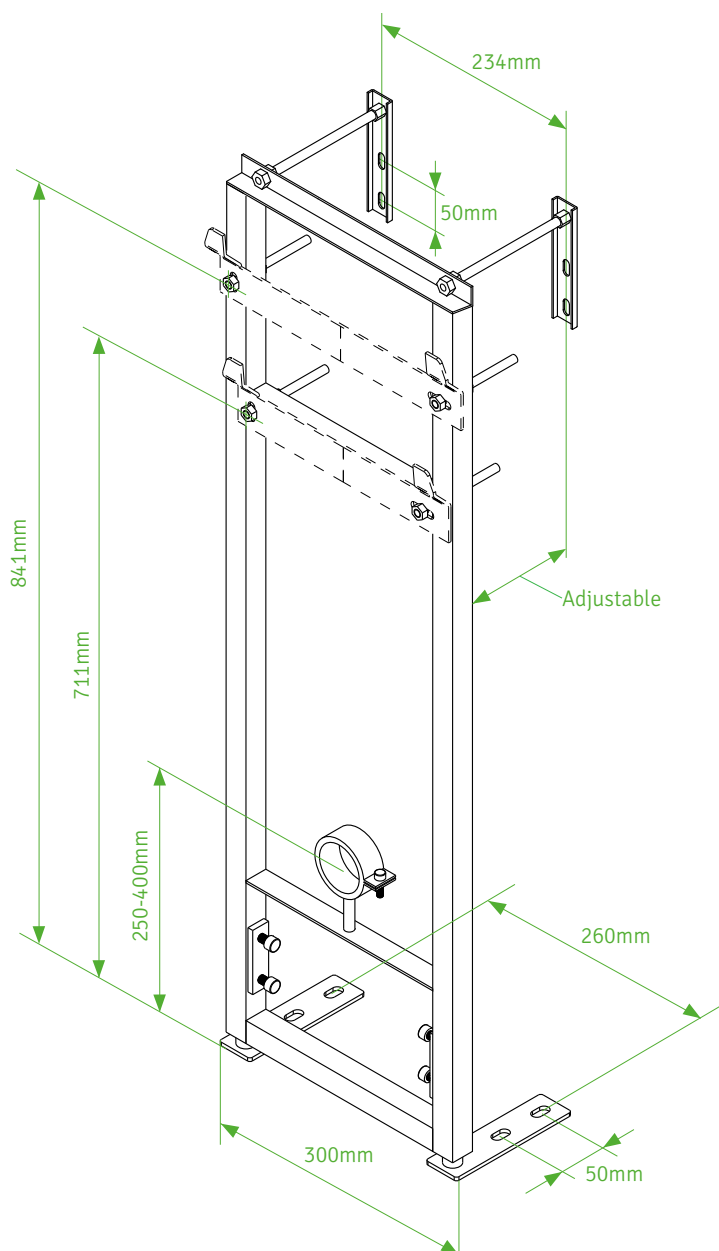
The practical mounting element for new installation and renovation

The URIMAT flush-mounted frame guarantees a precise fit and easy installation thanks to only four fastening screws.

The four mounting feet ensure extremely secure installation and enable precise horizontal and vertical alignment.

URIMAT KeraFix is highly recommended in dry construction and when installing ceramic urinals.

When installing our high tech plastic urinals URIMAT MakroFix is the perfect solution.

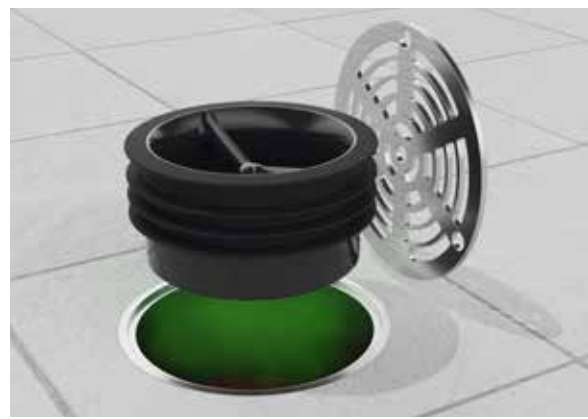


Green Drain

GREEN DRAIN is a unique odor trap for floor drains that sets new standards.

Specification:

The Green Drain™ membrane odor barrier consists of a UV-resistant ABS plastic frame, a silicone rubber sealing membrane, and a flexible gasket to allow easy installation and perfect adjustment of Green Drain™.



Ensures a healthy indoor climate:

GREEN DRAIN™ fits floor drains in the following locations:

- Private houses & apartments
- Businesses, factories, office buildings
- Schools, public buildings
- Hospitals
- Restaurants, hotels
- Unused shower and changing rooms in halls
- Holiday homes and allotment houses

Facts:

- Easy installation and attachment
- Improves indoor air quality
- Does not reduce the flow rate
- Counteracts the penetration of wastewater
- Waterless and self-cleaning
- Universal – can be used for all types of floor drains
- Prevents sewer odor
- No blockage in the drain
- No dried-out water barriers

Function:

Used in the outlet connections of floor drain bodies or inside floor drain strainers to seal the opening and prevent odors, sewer gases, and insects from rising through the floor drain grate. The Green Drain's four flexible silicone sealing ribs ensure easy installation in openings of various sizes. The Green Drain opens to allow drainage and then closes when there is no water flow. The Green Drain can be used in both new construction and retrofits where no primers have been installed.

Hand Dryer Favorit

Fast, efficient, practical

- 1 Fast and efficient**
High-speed hand drying in 9–11 seconds
- 2 User-friendly Settings**
Power adjustable in 2 levels, hot or cold selectable
- 3 Blue LED lighting with timer function**
Drying time display
- 4 Power**
1650 W
- 5 Noise level**
A pleasant 68 dB
- 6 Protection class**
IPx4
- 7 Touch-free operation**
Completely hygienic thanks to sensor-controlled operation
- 8 Motor**
Brushless DC motor (220 V – 240 V)
- 9 Easy installation**
Ready to use immediately and at any time
- 10 Cost-saving**
No storage, refilling, or disposal of paper or cloth towels
- 11 Environmentally friendly and ecological**
With integrated water tank

Dry in 9-11 seconds



Also available in silver



Dimensions:

Width 330mm x Height 685mm x Depth 220mm

Weight:

11 Kg

Material:

ABS

Item

37.520

Color:

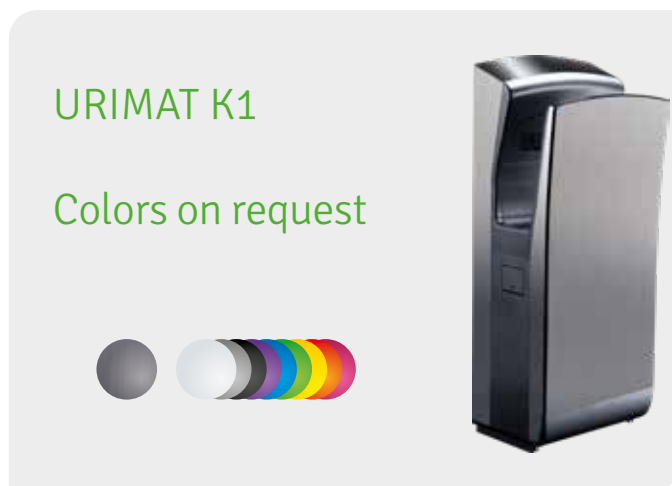
white + silver (on request)



Hand Dryer K1

Beautifully designed and brushless

- 1 Durability**
The case is made of high-quality stainless steel (AISI 304)
- 2 Efficiency with speed**
High-speed hand drying in just 10 seconds
- 3 Touch-free operation**
Accessible operation thanks to continuous sensors
- 4 Noise level**
Airflow approx. 350 km/h = 68 to 70 dB
- 5 Integrated thermometer**
The heater switches off automatically when the room temperature reaches 23°C.
- 6 Power**
1650 W
- 7 Motor**
Brushless DC Motor (220 V – 240 V)
- 8 Sustainability**
Approximately 25 times less CO2 emissions than paper towels
- 9 Clean environment**
No paper towels on the floor, no refilling and disposal of paper or cloth towels, no storage
- 10 Hygiene**
With integrated water tank



Dimensions:
Width 330mm x Height 685mm x Depth 220mm

Weight:
13 Kg

Material:
Stainless steel / ABS polycarbonate

Item number:
37.530

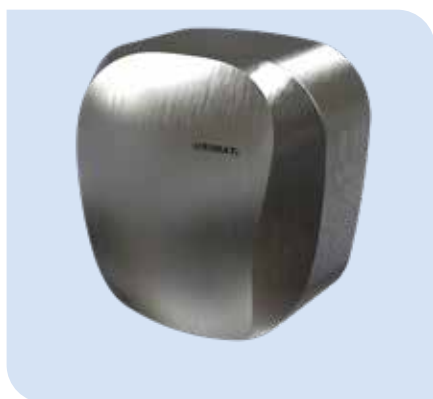
Color:
Available from stock: Brushed stainless steel finish.
Other colors available upon request.



Hand Dryer Champion PRO

Space-saving, clean, resistant

- 1 Durability**
The case is made of high-quality stainless steel (AISI 304)
- 2 Efficiency with speed**
High-speed hand drying in just 10 seconds
- 3 Touch-free operation**
Touch-free operation thanks to LED induction
- 4 Airflow**
Airflow approx. 288 km/h
- 5 Power**
1800 W
- 6 Motor**
Universal motor
- 7 Sustainability**
Approximately 25 times less CO2 emissions than paper towels
- 8 Clean environment**
No paper towels on the floor, no refilling and disposal of paper or cloth towels, no storage



Dimensions:

Width 312mm x Height 302mm x Depth 172mm

Weight:

6 kg

Material:

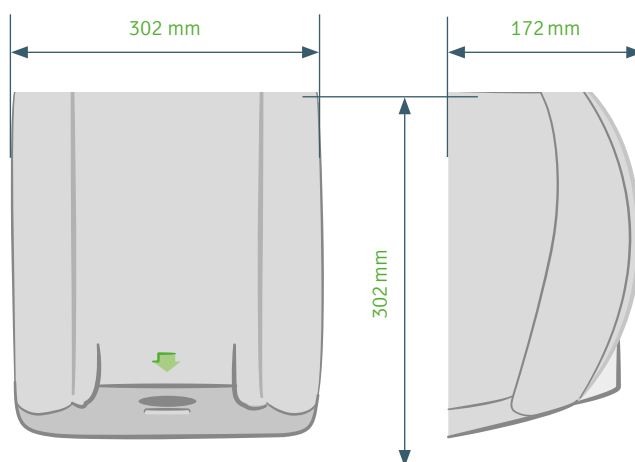
Stainless steel

Item number:

37.509 // 37.508

Color:

White lacquered & brushed



Kiddy Step Pro

The Kiddy Step Pro (KSP) is a robust and non-slip step stool

It provides children with safe access to urinals and sinks in public restrooms. Thanks to its durable, sustainable materials and easy cleaning, it's ideal for kindergartens, schools, and family-friendly facilities.

- Family-friendly
- Easy assembly
- Robust and intuitive operation
- High product quality: Made in EU

Info

Info Article no: 85.100

Color: gray

Weight: 11 kg

Payload: max. 30 kg

Background:

To wash the hands of small children, caregivers must lift the child to the sink, hold them upright, and then wash both of the child's hands with one hand. This position is very uncomfortable for both the child and the adult, and their clothes and body become wet and dirty. Supervising multiple children often limits the caregiver's attention. This method of handwashing is NOT a guarantee of proper and hygienic access to public restrooms.

Application:

The KSP is firmly anchored to the floor beneath the sink with anchor bolts. When not in use, the platform is vertically aligned by a gas spring. As soon as a child wants to use the sink, for example, to wash their hands, they push the platform down with one foot to a horizontal position and stand on it with both feet. The child's weight keeps the platform horizontal. After stepping off the platform, it automatically returns to its vertical position.



Advertising with URIMAT connect

A high-yield investment

URIMAT is not only a market leader among waterless urinals, but at the same time offers an advertising medium with significant reach in a clearly defined target group. There is no changing the channel or turning the page. Your advertising message is viewed on average for 40 seconds.

Depending on the model, the urinals from URIMAT offer either static advertising displays or high-resolution LCD-screens with animated messages that hit home within your target group.

A modern and audience-specific medium that allows you

The Acceptance Study

- › captive audience of 40 seconds
- › no divergence loss

The Acceptance Study was performed in Switzerland by the renowned market research institute, IHA-GfK.

93%

of all those surveyed said the advertising screen was the first thing they noticed on the URIMAT!

96%

find the advertising on the URIMAT positive or aren't bothered by it!

90%

remember the message on the URIMAT advertising display!



Ultimately only hard facts count!

Arguments that have persuaded even URIMAT's most demanding customers

✓ Annual savings of at least 100,000 litres of drinking water per urinal per year

✓ No Water consumption

✓ No urine scale build-up

✓ No chemicals

✓ CO₂ reduction (at least 350g per m³ water)

✓ No flushing systems necessary

✓ CO₂-neutral manufacturing

✓ Worldwide patented system and design

✓ Microbiological cleaning system

✓ Advertising Income possible

✓ Durable materials

✓ All-round service with our own staff

✓ Successful since 1998

✓ Swiss quality

✓ Leasing options available

✓ Gain points for LEED & BREEAM accreditation

100,000

Annual savings of at least 100,000 litres of drinking water per urinal per year

90%

Remember the message on the URIMAT advertising display!

350g

CO₂ reduction (at least 350g per m³ water)

References selection

Why do customers choose URIMAT?

URIMAT waterless urinals are widely in use by many different industries. URIMAT cooperates with international brands such as McDonald's, Nestlé, Nespresso, Migros, Coop, Pathé, Kitag or Toyota.

Our customers value the positive environmental impact and great water savings. For some, total freshwater consumption is reduced by up to 10%.

Many industries are confronted with questions about their sustainability. URIMAT helps to overcome those requirements by lowering the freshwater consumption and reducing the CO₂ footprint, while at the same time communicating those measurements towards an audience through the integrated display.

URIMAT is known for products offering the highest available resistance against physical force, low installation and maintenance cost and just fewer problems for the janitor in your building.

Less technical and operational problems, reduced maintenance time, high water savings, a fast cleaning procedure, communication and premium customer support are key values that URIMAT owners know to value.



Square One (CA)



Stadium Tottenham Hotspur (UK)



McDonald's (UK)



AFAS Live (NL)



SBB Schweizerische Bundesbahnen (CH)



KITAG (CH)



Grandvalira (ES)



Stadium St. Jakob Park (CH)



Stadion Stožice (SLO)



Marché (CH)



Railway station Winterthur (CH)



Jyväskylässä (FIN)



URIMAT Schweiz AG
Etzelstrasse 39
8634 Hombrechtikon
Switzerland

☎ +41 (0)55 251 52 30
🌐 www.urimat.com