



URIMAT Champion-Pro Hand Dryer Installation Manual:



High-speed hand dryer in a stainless steel housing with HEPA filter,
Touch-free usage thanks to LED induction, particularly suitable for a space-saving assembly.

Item description:

Article-Nr.	37.508 Brushed 37.509 White 37.957 HEPA filter
Height:	312mm
Width:	302mm
Depth:	172mm
Motor power:	1200 - 1450W
Motor:	Brushmotor
Noise level:	70 dB @ 1m
Weight:	4.1 Kg

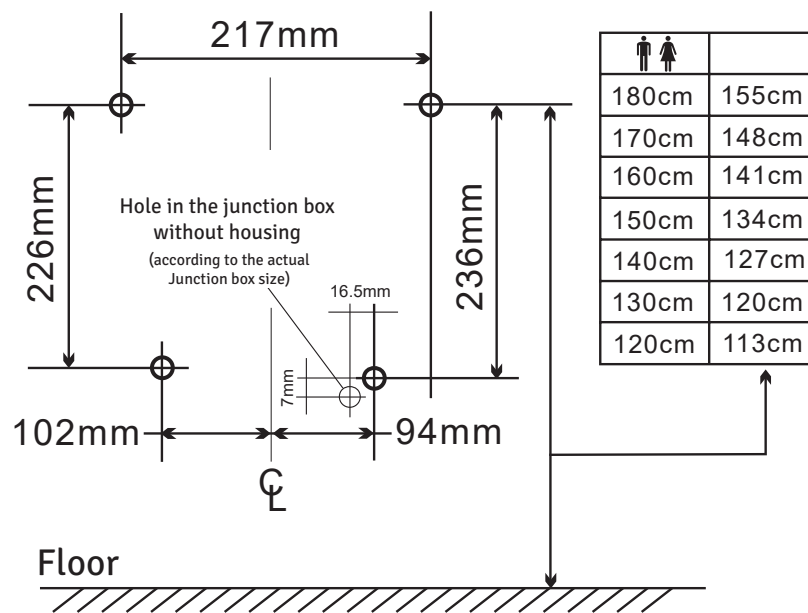
Precaution before installation and Installation location

■ Do not install in the following locations (Otherwise it may cause malfunction)

- Place with temperatures below - 10 ° or 40 °
- Near water sources
- Direct sunlight or strong light
- Condensation poor situation
- Place with corrosive, oxidizing gas
- Altitude outside the range of 0-2000m

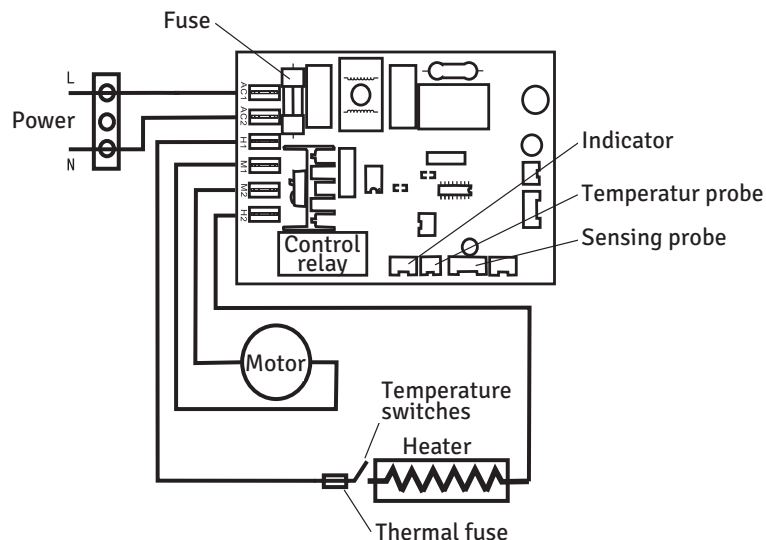
■ Installation place

- The following image shows the recommended position.
(If there are obstacles under the device, the distance between devices and floor or obstacles is at least 400 mm).
- Keep the right side of dryer away from mirror or walls, may water droplets splash when you dray your hand.
(stay away 100mm from wall and mirrors)
- Avoid places where there are doors or crowds of people.
- Choose a flat wall surface to install.



- Power cord should be 1.0mm² - 1.5mm²

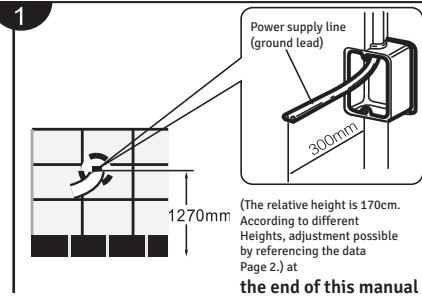
Electrical Diagram



Install method

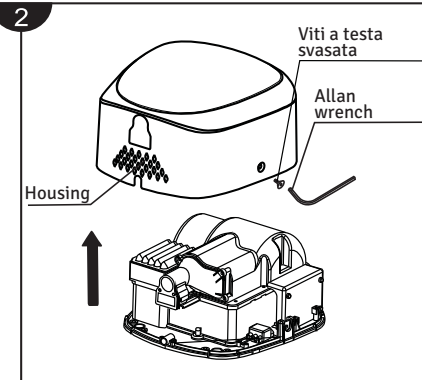
1 Power Connection

- When installing the dryer without connecting box, install above the right side of the dryer, a two-hole standard socket corresponds to that of a hand dryer. The distance should be 20-50 cm.
- Please install the junction box at the installation site without cover lid, if a direct connection of the power cord is required. Otherwise the power cord will be pushed out of the housing and cannot be installed properly.



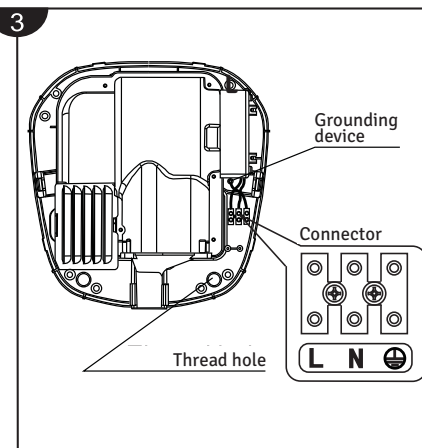
2 Housing Removal

- With the Allen key accessory, Remove 2 countersunk screws on the side of the housing.
 - To remove the casing, manually into the pull in the direction indicated.
- Store the case carefully and avoid scratches.



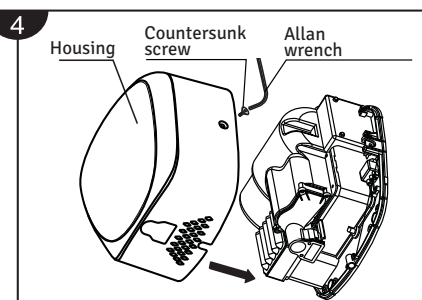
3 Machine Installation

- As the picture shows, the machine is to be fixed on the wall by screws. The machine has been equipped with a power cord. If the installation requires a junction box the power cord must be removed. As the picture shows, press the threaded hole out of the junction box with a screwdriver, the wire is fed through the threaded hole and connected to the terminal block.
- ! When connecting, the wire length should exceed 2cm to the terminal block. The phase is connected to position L, see terminal blocks, the neutral line is connected to position N, ground wire at ⊕



4 Shell Installation

- Tighten the 2 countersunk screws on the shell



Test run

	Steps	Confirm Information	Check & Notice
1	Shake device carefully	The device is permanently installed and doesn't move	Vibration and noise will occur, when the dryer isn't installed firmly
2	Control tension and performance	Please use the nominal power supply	The machine will burn or cause human accidents, if the power is used incorrectly.
3	Turn on power	Connect external power supply switch or plug in the main plug	The power socket must match the machine plug, please check the power when the indicator light doesn't work.
4	To dry hands hold hands under the device	Blows the air at high speed	Please confirm whether your hands are far away from the sensor if there is no wind blowing out

- Installation is recommended for additional protection a residual current device (RCD) with a nominal residual current of no more than 30mA in the circuit supplying the bathroom. Ask your installer for advice.

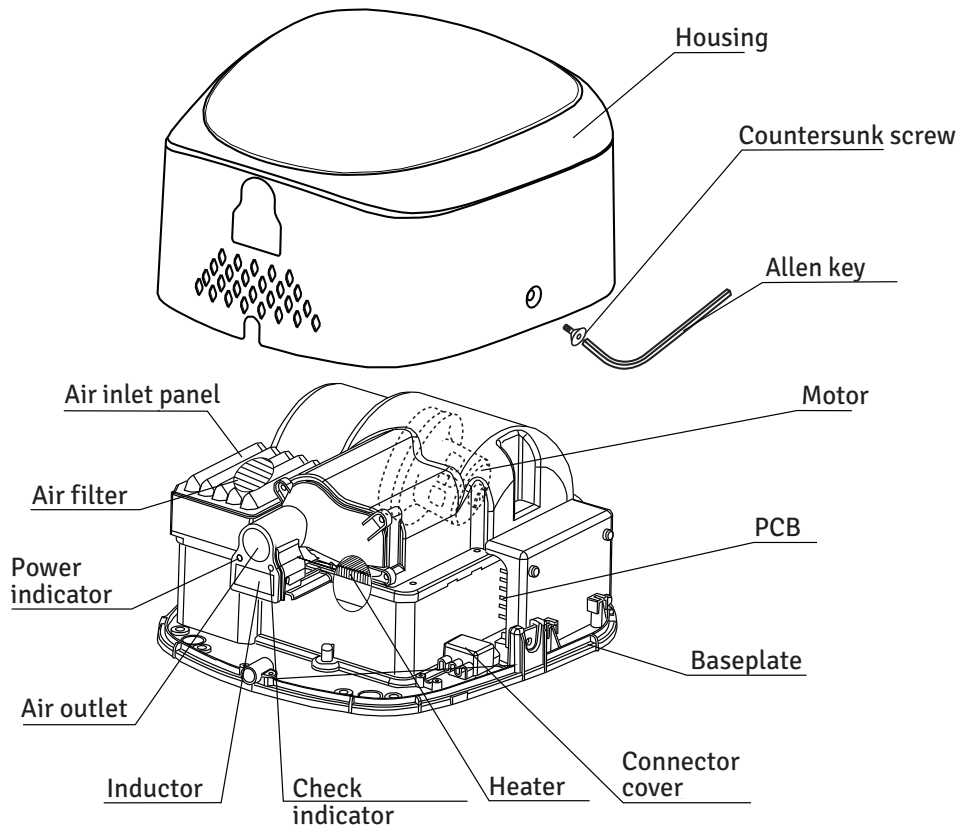


- Environmental Protection. Electronic devices must not be disposed of with household waste. Please recycle where facilities exist. Contact your local authority or dealer for recycling advice.

Feature

- Contactless hand drying ensures absolute hygiene.
- No need for paper towels, and easy maintenance.
- Stainless steel case, solid and beautiful.
- Auto-stop function built-in timer will stop the device after 45 seconds.
- The machine is equipped with an automatic heating system, in cold temperatures, the heating system starts automatically, at high temperatures, the heating switches off automatically.

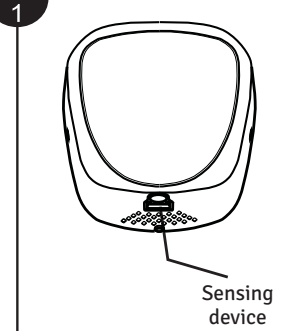
Items Description



Daily use and maintenance

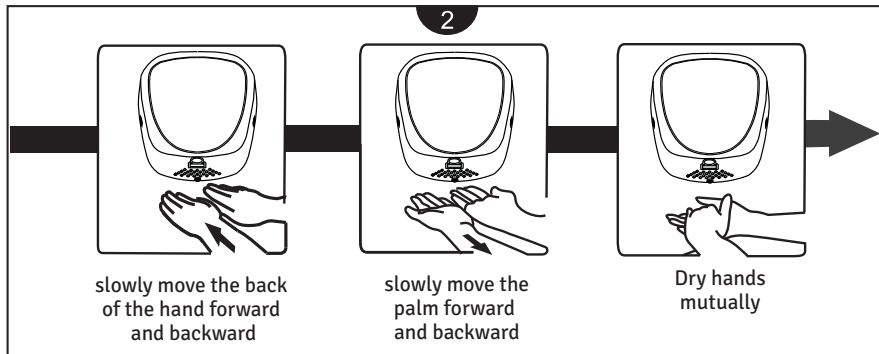
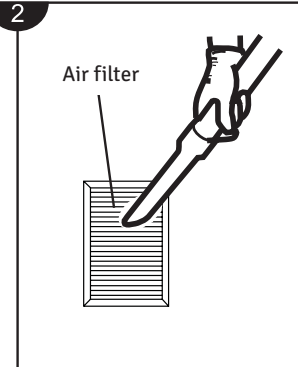
External maintenance

- Wipe with a dry soft cloth or towel.
- Please use a neutral detergent.
- Please do not use organic solvents, or alkaline toilet cleaners, cleaning brushes, etc.
- ! Otherwise there may be discoloration on the surface finish of the device.
- ! If you use a chemical wipe, be careful.



Pulizia del filtro dell'aria

- Open the air intake panel, pull out the air filter by the handle.
1. Open the air intake panel, Pull out the air filter by the handle.
 2. Cleaning the air filter.
- Tap lightly with your hand or use a vacuum cleaner.
 - A hairbrush can also be used around it to remove dust.
 - The air filter can be cleaned directly with water, reuse after drying.
3. Install it back into the device.



Packliste

Main machine.....	1	User manual.....	1
5x25mm self tapping screws.....	4	Allen wrench.....	1
5mm expansion pipe.....	4		

Specification

Model	37.508 Champion Pro		
Unit size	312x302x172mm		
Netto Weight	4.1kg		
Voltage	AC 220-240 V	Motor	Brush motor
Phase	Singel-phase	Sensing distance	15-20cm
Input	1200-1450 W	Protection class	IPX1
Heating Power	650 -750 W	Air Speed	75 m/S
Noise Level	70dB @ 1m		



Attention

If you don't use this unit properly or follow the safety guidelines carefully, it would lead to serious injury or property damage



Prohibited

- Do not open the front panel. Otherwise, an electric shock may result.



Do not allow the unit to get wet

- Do not let children hang on the device, otherwise, it may cause the unit to drop off.



Do not use it in the bath or shower room

- Do not let the device get wet, otherwise, it can cause an electric shock.
- Do not use it in a damp environment, for example in the bathroom where it might get wet and condensation can occur, this may cause an electric shock or a unit malfunction.



Dismantling forbidden

- Do not modify or disassemble the device unnecessarily, otherwise, it would cause a fire, electric shock, or injury.



Please comply with the instruction

- The rated power is required.
- If the power tolerance is greater than +/- 10%, it may cause a breakdown. Using the wrong power adapter will cause fire, electric shocks and machine malfunctions.
- Please use a dedicated socket.
- When used in conjunction with other devices, the outlet may cause abnormal overheating, which may result in a fire.
- The power must be off during maintenance work, to avoid the risk of electric shock. The air filter must be installed.

- If the device does not work or has abnormal conditions, Please cut off the power to avoid accidents, close the circuit breaker and ask the supplier to check and repair it, or it may be due to power leakage and short circuits can cause a fire.

⚠ The machine must be reliably grounded.

⚠ Attention when installing.



Attention

Do not install when the machine is connected to the power supply.

- This device is not intended for use by people (including children) with reduced physical, sensory or mental ability or lack of experience and knowledge, unless they are supervised by a person responsible for their safety or instructed in the use of the device.
- If the cable is damaged, it must be replaced by the manufacturer, service center or a similarly qualified person, to avoid danger.