



# FX-M WASH PLACE UNIT Clean & Towel

## FX-M washing area unit "water-soap-paper towel dispenser"

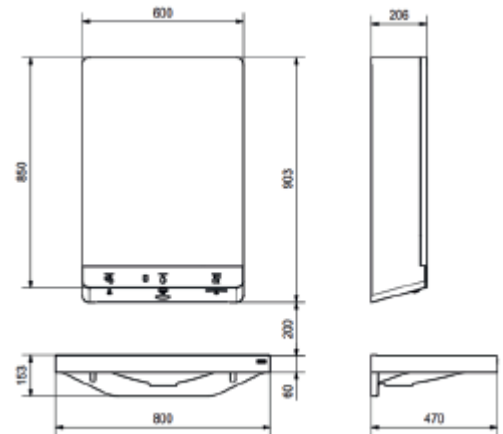
- for wall mounting
- Contactless opto-electronically controlled
- for hot and cold water connections  
Including thermostat for mounting on the angle valve with installation kit for premixed hot water
- Soap pump for liquid soap and hand dryer integrated in the set
- Illumination of the pictograms above the respective sensor
- The position of the sensor and the lighting of the
- The start of hand washing are displayed to the user
- The pictogram of the active function lights up brightly
- Housing made of high-quality powder-coated stainless steel, white
- mirrored door
- Left door hinge and cylinder lock
- Mirror made of laminated safety glass
- Illuminated icon bar made of ESG glass
- Soap tank not included



Dimensions: 600 x 900 x 205 mm (W x H x D)  
Item type: FXCT1001M  
Item number: 2030065018

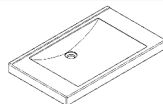
### Technical specifications

Minimum flow: Pressure 1.0 bar  
Volume of water flow: 6 l / min, 3 bar flow pressure  
Power supply: 230 V AC, 50/60 Hz  
Total output: 60 W  
Degree of protection: IP20  
Soap pump flow time: 0.1-25.5 s  
Paper towel dispenser capacity: 300 to 400 pieces  
(HS format with Z-fold)



### Recommended sink for FX-M washbasin unit

The Quadro-FX single washbasin is suitable for single-user installation:  
ANMW0036 / Item no. 2030058091



As a tailor-made washbasin solution for row installation  
From our Varius range, choose the ETON trough with a back wall.  
The washbasins are made of Miranit, a synthetic resin-bonded mineral material.